

**SPIERINGS**

MOBILE CRANES

Make: **SPIERINGS**Type: **SK2400-AT7-50m****LM1****Crane specification (Jib length 50 m)**Serial Number Year of construction

Strength / stability : as per EN 13001
 Stability : as per ISO 4305
 Classification : as per ISO 4301-2.A4

Max. load
9,0 tonne

Max. radius with max. load
16,5 m

Max. capacity
149 tm

Max. jib length
50 m

Max. speed Jib horizontal / 30° luffed



m/min	kg	Diagram	Speed
20	9000		0 - 70 m/min
30	4500		0-0,9 r/min
50	2250		
75	0		

All motions with hydraulic proportional controls.
 Luffing the jib 30° can be controlled from crane cab or by remote control.

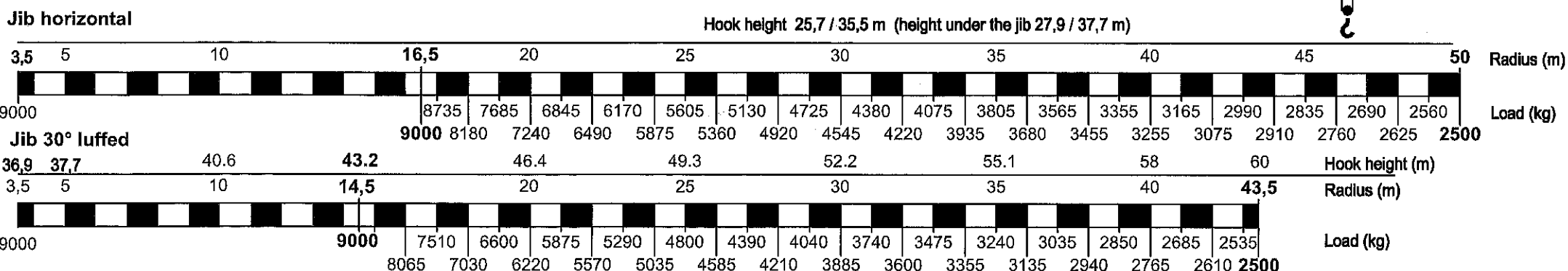
Counterweight Crane : 23000 kg.
 Continuous slewing of the crane (360°) with the outriggers out and support pads down.
 Crane can be driven in its erected position under special conditions (refer user guide).
 The crane should be folded in at wind force 10 (Bf) (24 m/sec) or when not in use for a longer period.

Rated lifting capacity is net capacity.
 Max. line pull force : 4500 kg.
 2 parts of line : 9000 kg.
 Sail area of the load max.: 1,0 m²/ton.
 Operating temperature range from: -15°C till +40°C.

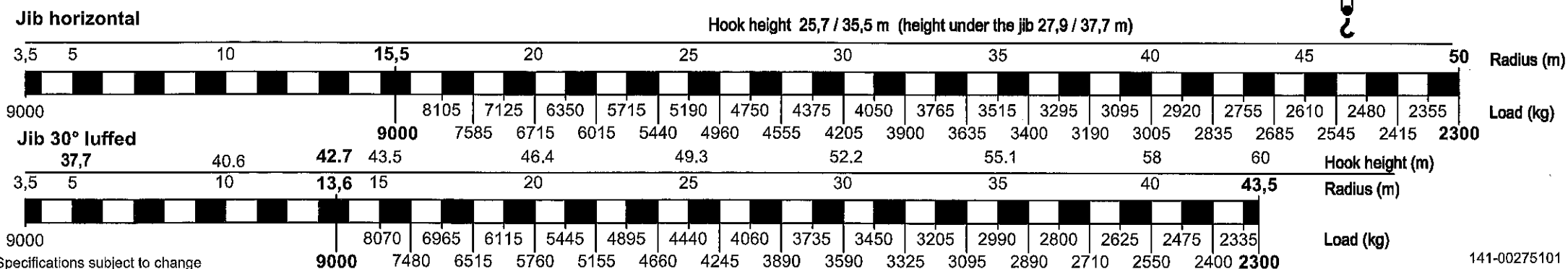
Outriggers positioned according to lifting chart
 Outrigger support base : 7,95 x 7,63 m.
 Operation allowed up to wind force 7 Bf (17 m/sec)
 Outrigger support base : 7,95 x 5,72 m.
 Operation allowed up to wind force 7 Bf (17 m/sec)
 Max. outrigger force: 520 kN.

LIFTING CHART**Outrigger support base 7,95 m x 7,63 m**

up to wind force 7 on the Beaufort scale (17 m/sec)

**LIFTING CHART****Outrigger support base 7,95 m x 5,72 m**

up to wind force 7 on the Beaufort scale (17 m/sec)



Specifications subject to change

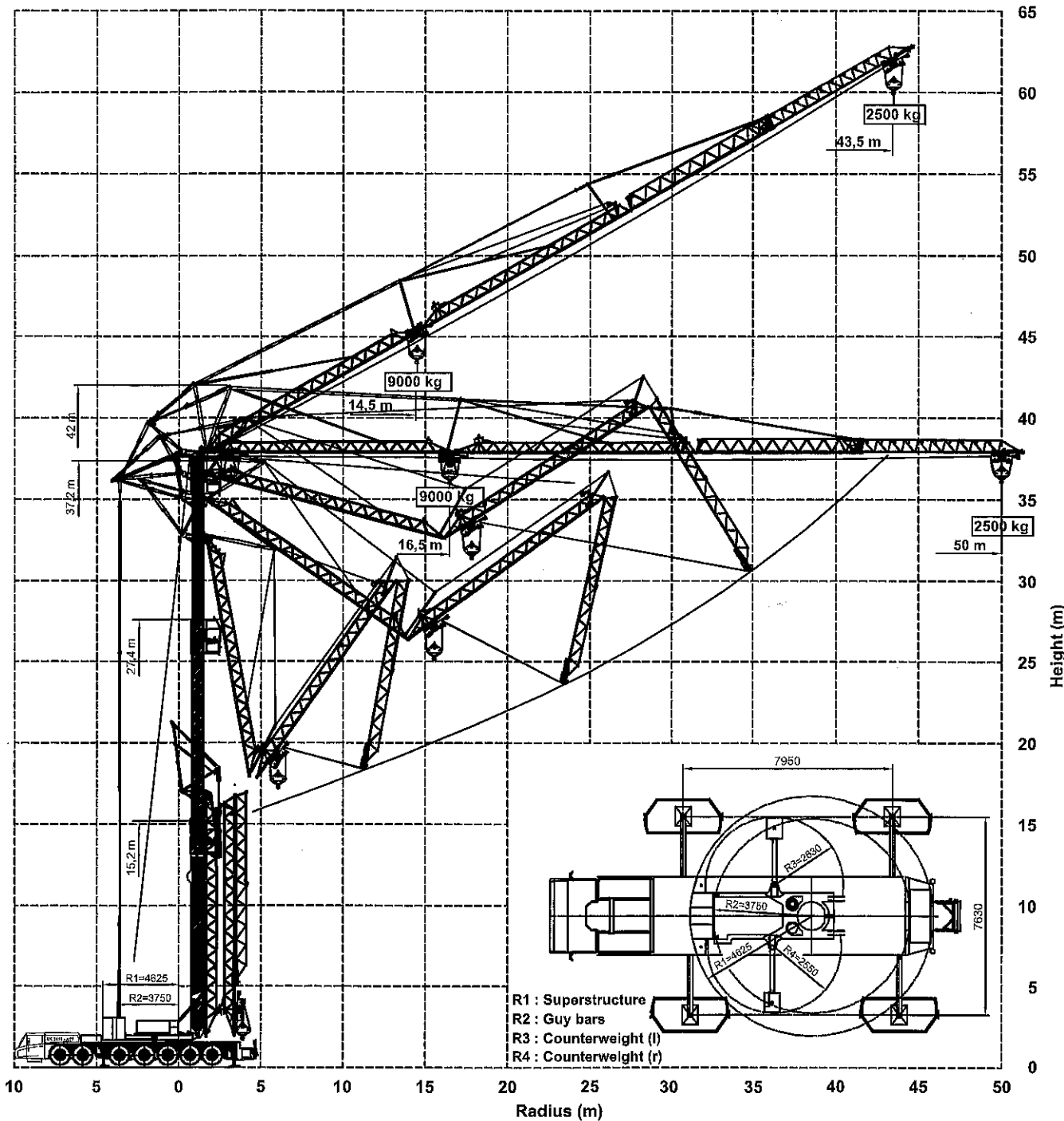
141-00275101

SPIERINGS HYDRAULIC FOLDING CRANE SK2400-AT7-50m

50m LM1

Erection procedure of the crane

- Max. outrigger force : 520 kN
- Outrigger support pads : 750x600 mm
- Ground pressure : 1,16 N/mm²
- Jib can be unfolded through 360°
- Luffing the jib 30° can be controlled from the crane cab or remote control
- Outrigger support plates: 3000x1340 mm
- Surface : 3,585 m²
- Grounds pressure : 0,15 N/mm²



SPIERINGS
MOBILE CRANES

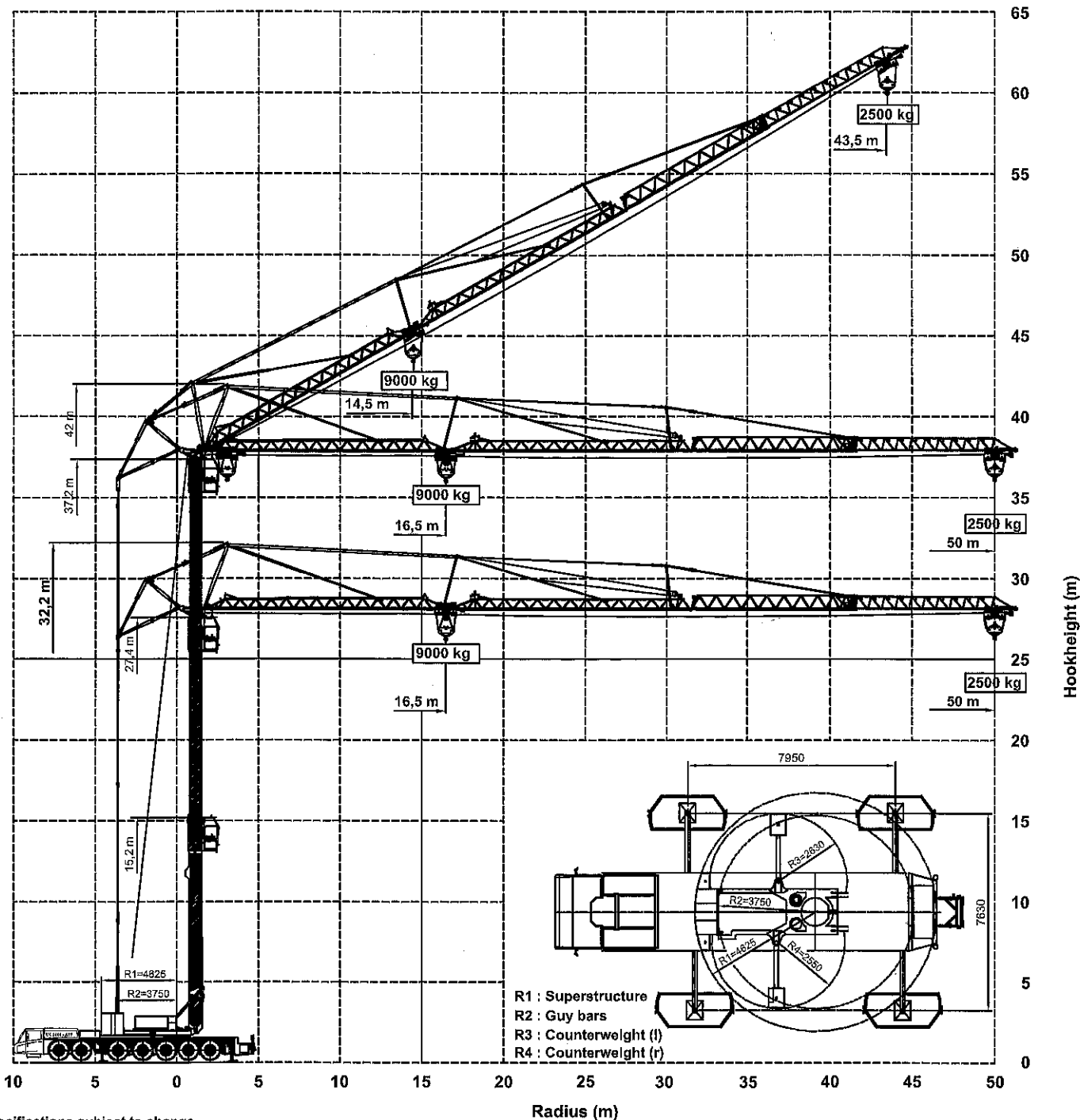
Merwedestraat 16
5347 KZ Oss NL
Tel. +31 (0)412-626964
Fax +31 (0)412-645298
www.spieringscranes.com

SPIERINGS
HYDRAULIC FOLDING CRANE
SK2400-AT7-50m

50m LM1

Hoisting Specifications

Outrigger support base: 7,95 m x 7,63 m

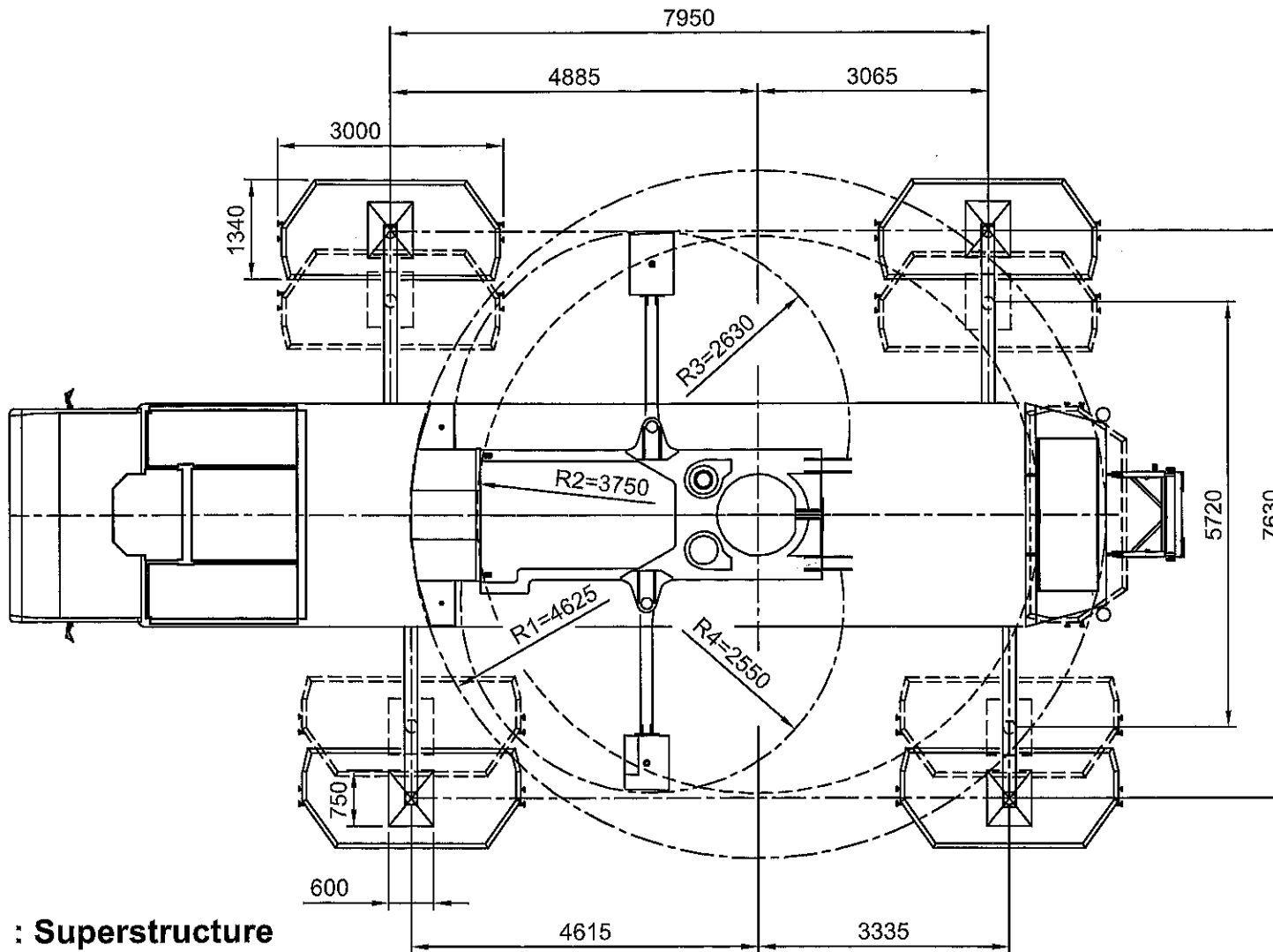


SPIERINGS
MOBILE CRANES

Merwedestraat 15
 5347 KZ Oss NL
 Tel. +31 (0)412-628964
 Fax +31 (0)412-645290
www.spieringscranes.com

141-00275104

SPIERINGS
HYDRAULIC FOLDING CRANE
SK2400-AT7-50m
50m LM1



- R1 : Superstructure**
- R2 : Guy bars**
- R3 : Counterweight (l)**
- R4 : Counterweight (r)**

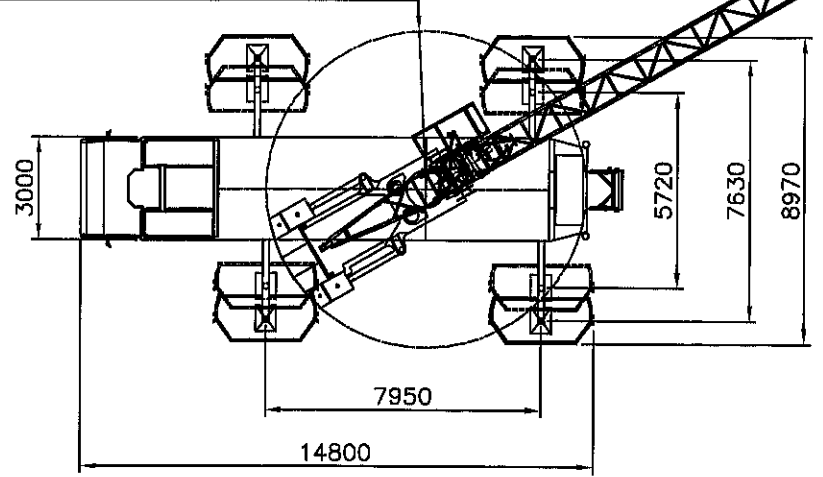
Overview outrigging	
Max. outrigger force	520 kN
Outrigger support pads	750x600 mm
Ground pressure	1,16 N/mm ²
Outrigger support plates	3000x1340 mm
Surface	3,585 m ²
Ground pressure	0,15 N/mm ²

SPIERINGS
MOBILE CRANES

Merwedestraat 15
 5347 KZ Oss NL
 Tel. +31 (0)412-626964
 Fax +31 (0)412-645299
www.spieringscranes.com

R51750

Turning circle superstructure R4625



STUK-NR.	AANTAL	BENAMING	MAT.	TEKENINGNR./OPMERKING
GETEKEND:	JvH	TEK. NR:	14.1	00.275.111
DATUM:	27-11-2014			PROJECTIE:
SCHAAL:				
SPIERINGS KRANEN b.v.		BENAMING:	Slewing SK2400-50m	ALGEMEEN ±0.5 ±0.5'
		HOOFDDEEL:	SK2400-AT7	FORMAAT: A4